



INSTRUCTION BULLETIN

No. 9012964
Machine: T17 / M17
Published: 05-2016
Rev. 01

NOTE: DO NOT DISCARD the Parts List from the Instruction Bulletin. Place the Parts List in the appropriate place in the machine manual for future reference. Retaining the Parts List will make it easier to reorder individual parts and will save the cost of ordering an entire kit.

NOTE: Numbers in parenthesis () are reference numbers for parts listed in Bill of Materials.

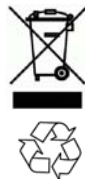
Installation instructions for **kit number 9020026**

SYNOPSIS:

This kit contains the parts needed to install the rear squeegee guard kit onto T17 scrubbers / M17 sweeper- scrubbers.
Please follow step-by-step instructions.

SPECIAL TOOLS / CONSIDERATIONS: NONE

(Estimated time to complete: 1 hour)



PROTECT THE ENVIRONMENT

Please dispose of packaging materials, used machine components such as batteries and fluids in an environmentally safe way according to local waste disposal regulations.

Always remember to recycle.

PREPARATION:

1. Park the machine on a clean level surface, turn off the machine, set the parking brake, and remove the key.

FOR SAFETY: Before leaving or servicing machine, stop on level surface, turn off machine, and remove key.

INSTALLATION:

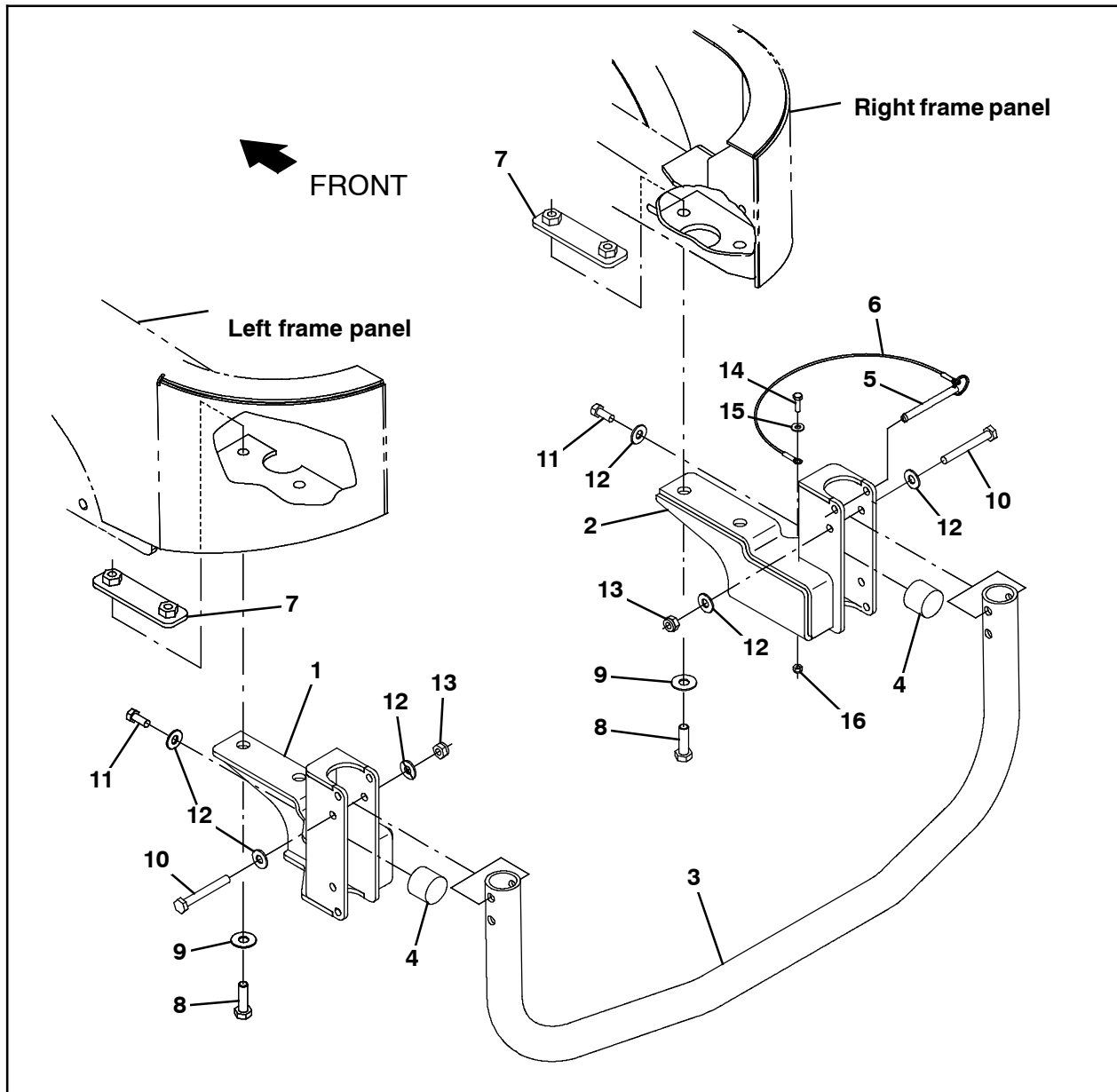


FIG. 1

1. Use one hex screw (11) and one flat washer (12) to install a bumper (4) onto the left squeegee bumper bracket (1) and the right squeegee bumper bracket (2). (Fig. 1)
2. Arrange a doubler plate (7) into the right frame panel and the left frame panel. (Fig. 1)
3. Use two M12 hex screws (8), two flat washers (9), and the doubler plate in the left frame panel to install the left squeegee bumper bracket (1) onto the left frame panel. Do not tighten the hex screws. The hex screws are tightened during final adjustment. (Fig. 1)
4. Use two M12 hex screws (8), two flat washers (9), and the doubler plate in the right frame panel to install the right squeegee bumper bracket (2) onto the right frame panel. Do not tighten the hex screws. The hex screws are tightened during final adjustment. (Fig. 1)
5. Use two M10 hex nuts (10), four flat washers (12), and two M10 lock nuts (13) to install the guard tube (3) onto the left squeegee bumper bracket (1) and right squeegee bumper bracket (2). (Fig. 1)
6. Install the hitch pin (5) onto the cable (6). (Fig. 1)

7. Tighten all loose hardware from the previous steps. (Fig. 1)
8. Use one M6 hex nut (14), two flat washers (15), and one M6 hex nut (16) to install the hitch pin (5) / cable (6) onto the right squeegee bumper bracket (2). (Fig. 1)
9. Use the hitch pin (5) to hold the guard tube (3) in the raised position when not using the rear squeegee guard. Store the pin in the holes in the right squeegee bumper bracket (2) when using the rear squeegee guard. **Do Not** leave the hitch pin (5) / cable (6) dangling loose when using the rear squeegee guard. (Fig. 1)

Bill Of Materials For Squeegee Guard Kit, DI [T17] - 9020026

Ref.	Tennant Part No.	Description	Qty.
	9020026	Squeegee Guard Kit, DI [T17]	1
1	1207961	Bracket, Bumper, LH, Squeegee [T17]	1
2	1207902	Bracket, Bumper, RH, Squeegee [T17]	1
3	1208109	Tube, Guard	1
4	1024977	Bumper, Ure, 1.50d 1.25l	2
5	369359	Pin, Hitch, .375d X 3.12l, PI	1
6	57702	Cable, Glv .06d 012.0l .26eye /.26eye	1
7	1208053	Plate, Doubler	2
8	69972	Screw, Hex, M12 X 1.75 X 40, 10.9	4
9	140045	Washer, Flat, 0.51b 1.25d .06, SS	4
10	06965	Screw, Hex, M10 X 1.50 X 80, 8.8	2
11	21196	Screw, Hex, .38- 16 X 0.88, G5	2
12	32492	Washer, Flat, 0.38, Std	6
13	41430	Nut, Hex, Lock, M10 X 1.5, NI	2
14	06943	Screw, Hex, M6 X 1.00 X 20, 8.8	1
15	32483	Washer, Flat, 0.25, SAE	1
16	08708	Nut, Hex, Lock, M6 X 1.00, NI	1

TENNANT COMPANY
P. O. Box 1452
Minneapolis, MN 55440-1452